

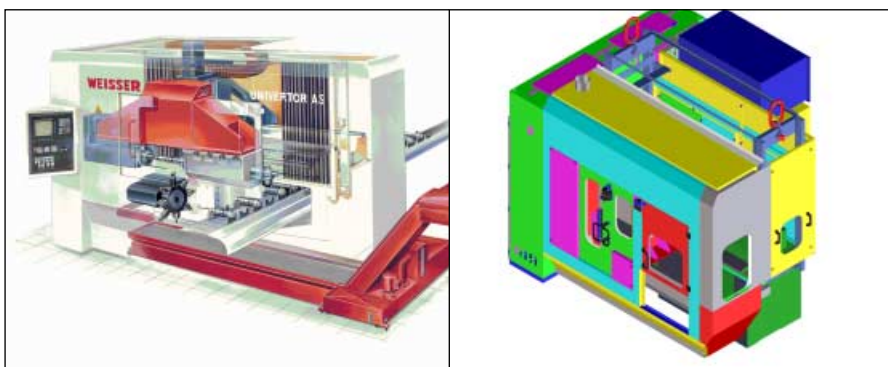


# Faster time-to-market - thanks to CoCreate Solutions

## The Situation

“We were never able to develop machines as fast as we now can with CoCreate’s solution portfolio.”

*Lothar Albrecht, Development Engineer, J G Weisser Söhne*



## Company Profile

J G Weisser Söhne specializes in the turning processing of steel- and aluminum parts for automobile producers and their suppliers.



## The Challenges

- With 2D product development the error margin was too high and mold construction took too long.
- Long product development phase because of using parametric 3D systems: These systems are not intuitive, which means a second designer has to “learn“ an existing design from scratch. Changes can be made neither quickly nor simply and little time is left for innovation.
- We work constantly with suppliers. Because of our location we have wasted a lot of time and money on travel.

## The Solutions

- 40 Licenses each of OneSpace Drafting & CoCreate Data Management, 6 Licenses of OneSpace Modeling, OneSpace Collaboration

## The Results

- Faster time-to-market:
  - Thanks to OneSpace Modeling we were able to speed up product development. With a parametric system this would never have been possible.
  - With OneSpace Collaboration our partner know-how can be incorporated at the very start of a project. Time required for changes is drastically reduced.
- Drastic cost reduction because travel for meetings is no longer necessary.

The enterprise, headquartered in St. Georgen/Schwarzwald, Germany, counts among its customers BMW, Daimler-Chrysler, Ford, Opel and VW, as well as their suppliers (e.g. the Gear Wheel Factory in Saarbrücken or the companies Kolbenschmidt and Mahle).

Johann Georg Weisser founded the company in 1856 and began with the factory production of machines and tools for the clock industry.

Today the family business, run with 400 employees, delivers tool machines to customers all over the world. These include single- and double spindle automation for the vertical or horizontal processing of aluminum or steel rotating parts such as pistons for internal-combustion engines, breaks components, gearbox wheels, shafts, or wheel rims.

J G Weisser’s uppermost objective is to produce innovative customized products.



“We have been using OneSpace Drafting, based on ME10, since 1987. But the 2D solution does have certain limitations. There were always errors and misunderstandings. For example, suppliers with little knowledge of 2D had trouble reading the drawings. And mold designing took too long,” explains Lothar Albrecht, Development Engineer at J G Weisser Söhne.

As specialists for the rotation processing of steel- and aluminum parts in the highly competitive automobile industry, not only is the guarantee for the highest quality a must but also top speed in delivering it!

“Parametric systems are not intuitive, which means a second designer has to ‘learn’ the design from scratch in order to understand what his predecessor had done. Changes can be made neither quickly nor simply. All that takes time, which we don’t have,” continues Albrecht. “A colleague hit the nail on the head when he said that he needs a designer in front of the monitor who designs and not a computer scientist who programs the progress of a design,” he adds.

J G Weisser works a lot with suppliers, which makes the effective management of 3D data a requirement. The company developed its own management system for OneSpace Drafting. But because of time constraints, this was not to be the case with OneSpace Modeling, especially since the company realized the advantages of all its solutions deriving from the same source.

Working closely with suppliers also means high demands on resources in the form of both time and costs. “We have sat in front of the monitor to design with a model maker, a molder and a designer – all from different companies. When you consider that a number of our suppliers are located, for example, in Moelln (northeast of Hamburg), you realize what an enormous effort is required for travel; that means high costs and a lot of time that cannot be used productively because of travel,” explains Albrecht.

So J G Weisser Söhne looked for a complete solution from one company that was easy to learn, easy to use, intuitive and team oriented. Their goal was to guarantee the production of innovative customized products faster, cheaper, and of higher quality than their competitors.

“The CoCreate solution was a natural choice for us since we were already using the 2D solution,” remembers Albrecht. “Besides we were completely convinced about the performance of OneSpace Modeling, OneSpace Collaboration and the data management solution.”

Albrecht clarifies this further with a short example, “We needed new body components that the company John was to make for us. Our designer created the components with OneSpace Modeling and discussed it with the designer and the production planner at John in Achern. John suggested changes, which we discussed, examined and – according to the results – integrated.

The second meeting was the last meeting – the final set of components was released to manufacture. It took John only five working days and two OneSpace Collaboration meetings to develop, produce and deliver the new components – according to Weisser’s guidelines – to St. Georgen.”

Albrecht adds that spontaneous OneSpace Collaboration meetings, possible at any time during the product development phase, allow the company to take advantage of the diverse know-how of all project participants. “The use of collaboration is often thought only to be good for geographically-dispersed teams, but that’s not right. Collaboration pays off even for short distances,” says Albrecht.

**For more information**, please contact us directly or visit [www.cocreate.com](http://www.cocreate.com).

**Europe**  
Phone: (49) 7031-951-2222

**USA**  
Phone: (1) 970-267-8000

**Japan**  
Phone: (81) 42-352-5654

**Taiwan**  
Phone: (8862) 2759 5505

**Korea**  
Phone: (82) 2 559 0711

**Singapore**  
Phone: (65) 550 9665

All rights to this documentation, including duplication, distribution and translation rights are reserved. Right of technical modifications reserved.

© CoCreate Software GmbH & Co.KG (08/02)